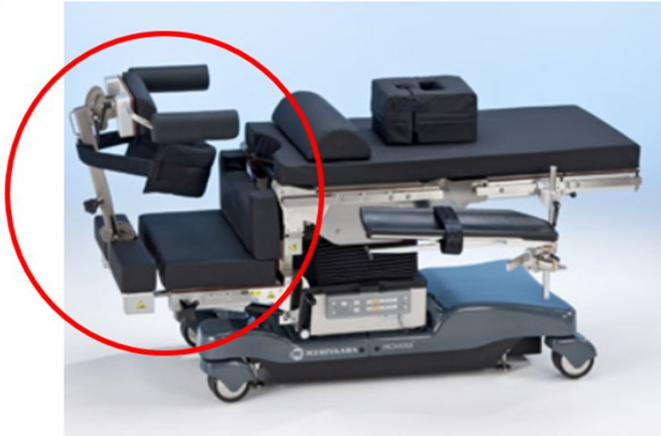


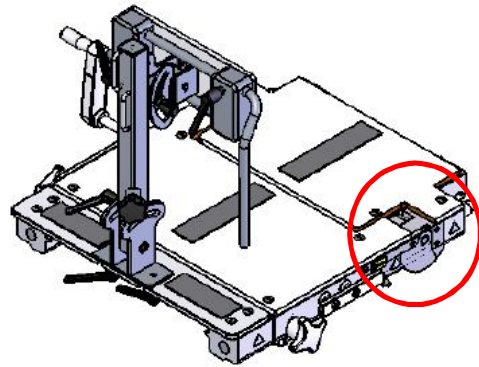
Attachment 2 FSN KNEE CHEST Device 100060600

Instruction for securing the locking sleeve

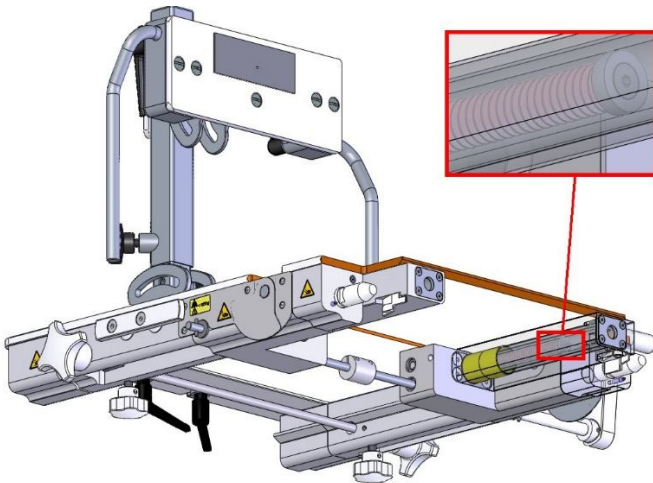
1. Location of the locking sleeve is presented in pictures 1-3.



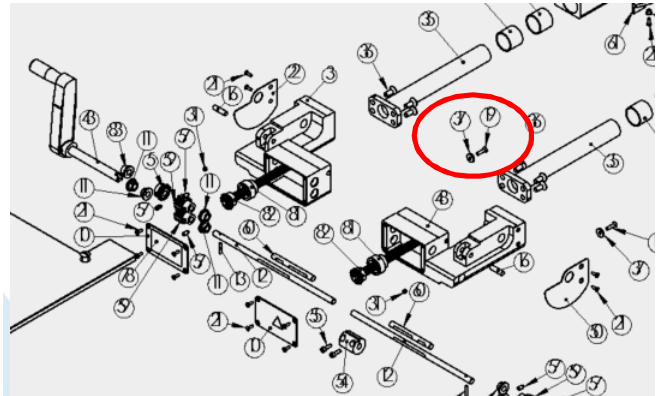
Picture 1.



Picture 2.



Picture 3.

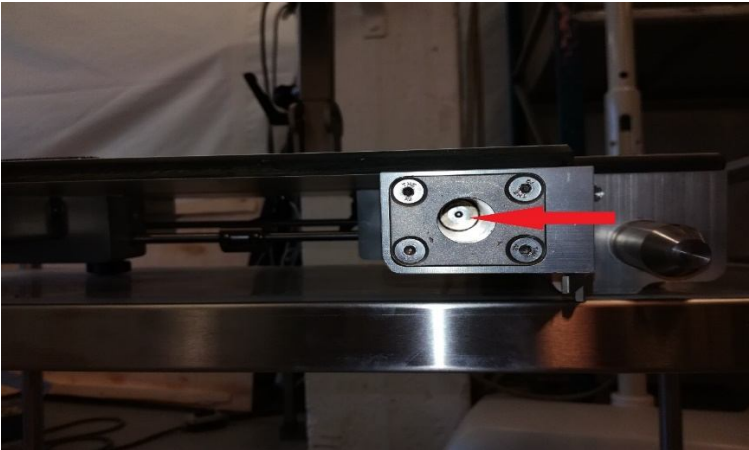


Picture 4.

2. Tools and accessories needed for the work:

- Key for hexagon head screws
- Pliers
- Cloth
- Grease removal liquid
- Loctite 2701 bonding agent

3. Open M5X20 fastening screw from motion screw.



Pic. 3.1



Pic. 3.2

4. Use cloth, pliers and hexagon key to remove the screw from stopping sleeve.

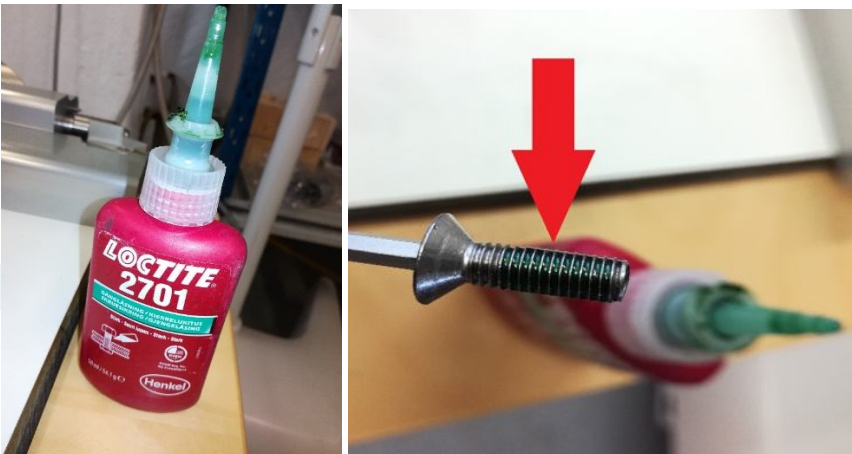


Pic. 4.1

5. Clean the old glue from screw and sleeve with grease removal liquid. Clean also the internal thread of motion screw by grease removal liquid (see pictures 2.1/ 2.2) .



6. Put Loctite 2701 twist lock glue to spirals whole distance. Not under screw position or stopping sleeve.



5. Put the M5X20 locking screw with washer back to motion screw.



6. Let it dry over night before using.

7. Before use, inspect that all adjustments are functional. Lift the device from the foot end several times. Components are not allowed to be separated from each other during lifting.
8. Device is now safe to use. Please ensure, that this service action is recorded to the service file of the product.